

PANEL TYPE CONDUCTIVITY ANALYZER Model: WBM-100

This panel mount type conductivity analyzer is compact and light weight.

This is suitable for use in a broad range of applications from ultra-pure water production to industrial effluent. And the temperature compensation covers -5 to 120 .

This conductivity analyzer has some functions like isolated output (DC4~20mA), alarm output terminal (2 circuit change over) and display of sample water temperature.

FEATURES

- **Compact DIN96 size**

Dimensions: 96x96x145mm, panel cut-out 96x96mm (DIN size) Light weight

- **The temperature compensation by microcomputer**

Highly accurate temperature compensation is possible for wider temperature ranges compared to analog method.

- **It is possible to make measurement from -5~120 ***

The detector can be used near hydrothermal germicidal treatment process for ultra-pure water.

- **Free power supply with voltage between 85~265V, AC50/60Hz.**

- **Temperature indication**

Sample temperature can be monitored as each location as well as conductivity

- **Cell constant adjustment function is provided.**

It can make accurate measurement by key operation when replacement of a detector.

- **Two control points can be set**

It is possible to set two control points within measurement range.

If alarm arises, it is displayed on front panel with voltage free contract output.

- **Output is isolated type and DC 4~20mA**

Input/output terminals are isolated. It is available to connect to any external device.

STANDARD SPECIFICATIONS

Products Name : Panel type conductivity analyzer

Model : WBM-100

Measurement range : By selecting a cell constant out of 4, one of the following types can be selected.

: a. 0~20 μ S/cm[Cell constant]
(3 ranges;0~0.2/0~2/0~20 μ S/cm)
[0.01/cm]

: b. 0~200 μ S/cm
(0~2/0~20/0~200 μ S/cm) [0.1/cm]



: c. 0~2000 μ S/cm

(0~20/0~200/0~2000 μ S/cm) [1.0/cm]

: d. 0~20mS/cm

(0~0.2/0~2/0~20mS/cm) [10.0/cm]

Output range : Transmission output range can be set freely. However it is requires 25% or more width of a measurement range.

Temperature range : -5~120 *, Resolution 0.1

Display :Digital LCD

Temp. compensation: -5~120 *

Temp sensor: Thermistor (built in sensor)

Accuracy: Within $\pm 1\%$ FS (as equivalent resistance)

Output Transmission: 4~20mA DC isolated,
max load 650

Control Functions

Control outputs: 2 (H/L,H/HH,,L/LL)

Set range: 0~FS (Free setting is allowed)

Contact output : Voltage free contact

Contact rating : AC250V 3A

Alarm indication : Displayed on front panel

Other function : Over scale indication : Blinking LCD.

Linearity : Within $\pm 0.5\%$ FS(Exclusive sensor)

However, if the cable length is 50m and more, it is within $\pm 1.0\%$ FS

Repeatability :Within 0.1%FS ± 1 digit (exclusive sensor)

Power requirement : AC85~265V, 50/60Hz

Power consumption : Approx. 10VA

Ambient temp. & humidity: -5~50 , 95%RH or less

Construction : Panel mounted type, indoor (IP30)

Case Material : Aluminum and plastic

Mounting :: Panel mounting

Panel cut out : 92(W)x92(H) mm

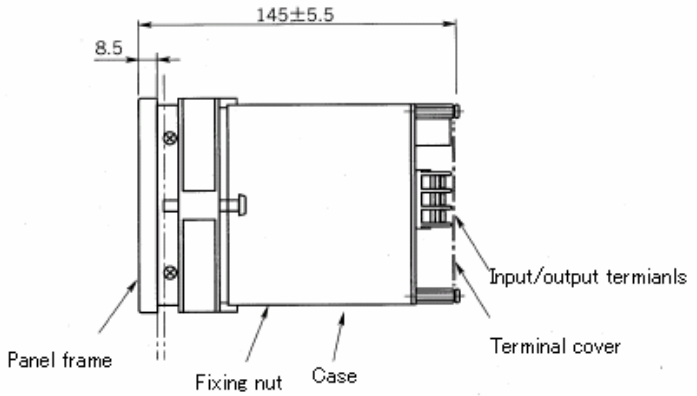
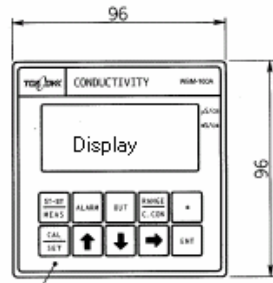
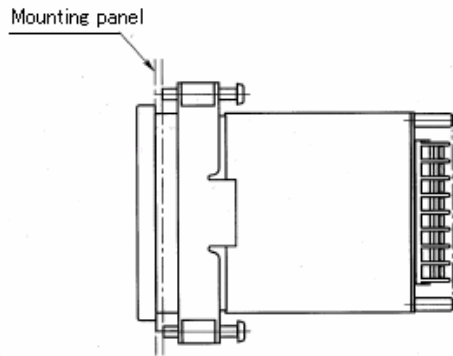
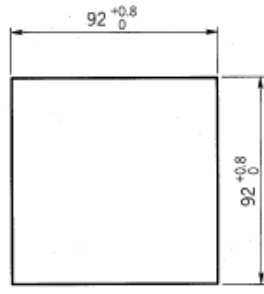
Dimensions : 96(W)x96(H)x145(D)mm

Weight : Approx.1kg

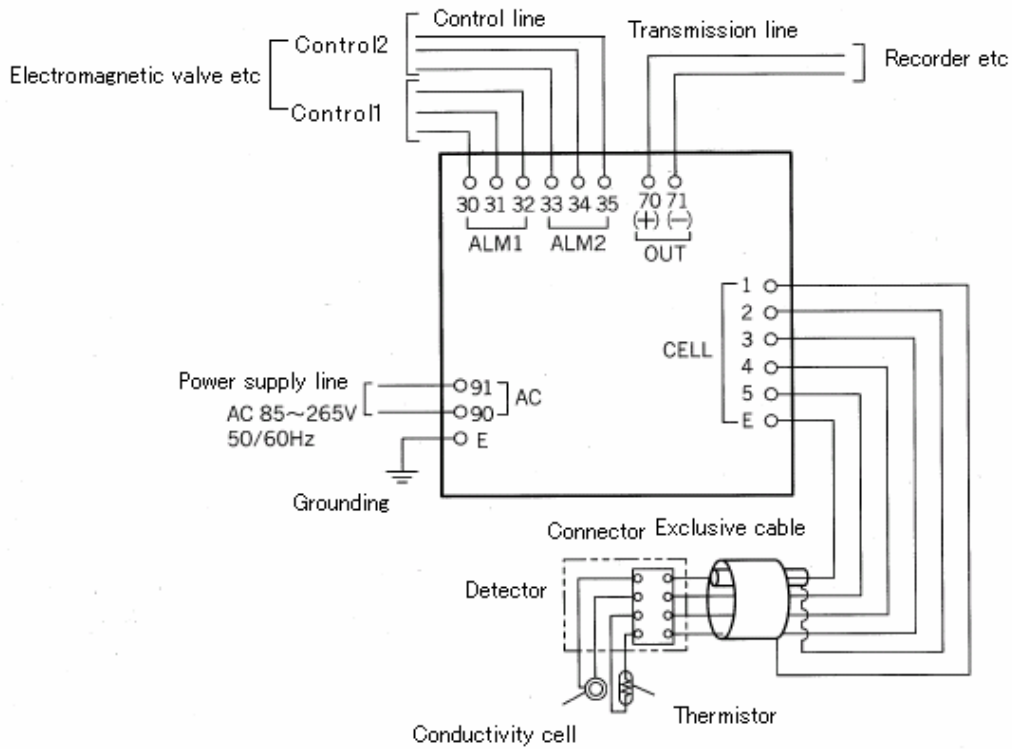
*Depend on the sensor to be connected

DIMENSIONS

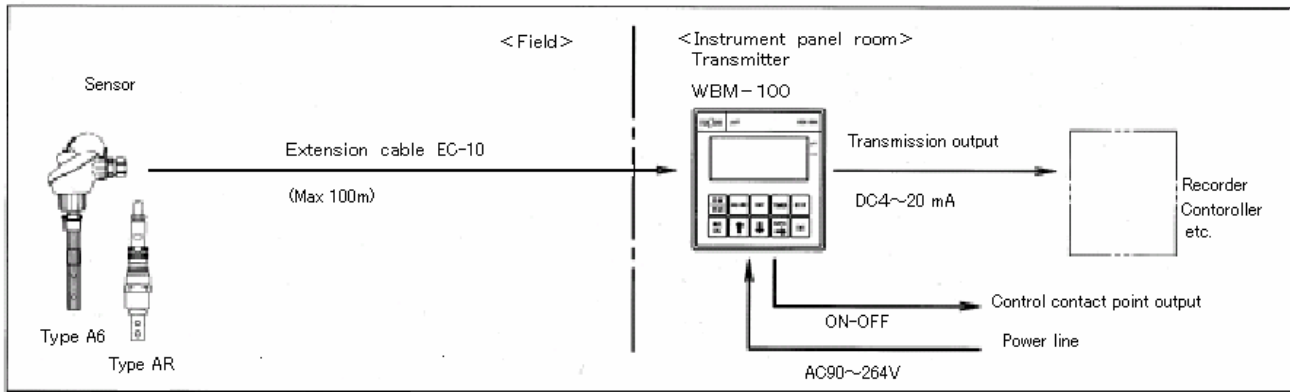
UNIT : mm



WIRING SCHEMATIC



SYSTEM CONFIGURATION



PRODUCT CODE

WBM100-2-		
1		Power source AC85~265V 50/60 Hz
A		Standard cell constant and measurement range *1 0.01/cm 0~2000/2000/2000 $\mu\text{S/cm}$
B		0.1/cm 0~2000/2000/2000 $\mu\text{S/cm}$
C		1.0/cm 0~2000/2000/2000 $\mu\text{S/cm}$
D	As above cm unit systems	10.0/cm 0~2000/2000/2000 mS/m
G	As below m unit systems	1/m 0~20.00/200.0/2000 $\mu\text{S/m}$
H		10/m 0~2000/2000/2000 mS/m
J		100/m 0~2000/2000/2000 mS/m
K		100/m 0~2000/2000/2000 mS/m
Z		Special
1		Transmission output range(DC4~20mA) *2 Standard range value
8		Custom spec.
1		Cable length *3 50m or less
2		50m~100m(Max)
A		Markings Standard
B		English
0		Combination Detector *4 Nil
1		Simultaneous manufacturing

*1. By the standard cell constant of combined detector, measurement range is decided, and there are 3 each ranges (low, middle, high)

*2. Each of above measurement range A~K, is arranged as middle range.

“Custom spec” means that each range can be set freely 25% or more width of measuring range.

For example, if measurement range is 0~20.00 $\mu\text{S/cm}$, it can be set minimum 0~5.00 $\mu\text{S/cm}$, or 5.00~10.00 $\mu\text{S/cm}$ etc.

*3.If the length of cable is above 50m, it is required to special adjustment, and performance deterioration might occur.

*4.In case a detector is individually produced at the factory, data for existing detector such as type and serial No. are required.

Combined Sensor

Product name : Conductivity sensor

Model : A type, AR type etc.

Cell constant : 0.01/0.1/1.0/10.0 cm^{-1}

Temp sensor : Thermistor (sealed inside inner electrode)

Sample conditions:

Temperature : 0~100

Pressure : 1MPa or less (A type)

0.5MPa or less (AR type)

Materials Main body: SUS 316

Connector : Plastic

Connector box: Aluminum casting

Electrode :SUS 316

Electrode insulation: Glass(hermetic seal)

PTFE (Teflon)

Case : SUS316 or P.P(polypropylene)

Piping connections :R3/4 screw-in type

Piping temp range :0~100

Connection cable : OD 8mm (EC-10)standard is 50m or less (max 100m).

Extension cable

The extension cable is a special cable for use with conductivity transmitter. It is used for connection between transmitter and detector.

Model : EC-10

External diameter : 8mm

Insulator : Polyethylene and vinyl

External coating : Vinyl

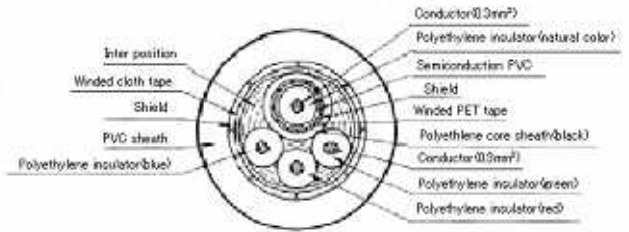
Insulating resistance between wire and lines

10 M or more/100m

Extended distance :100m at maximum, not allowed to connect lines in the middle.

Standard length :5~100m in units of 5m.

Weight :Approx.0.5kg/5m



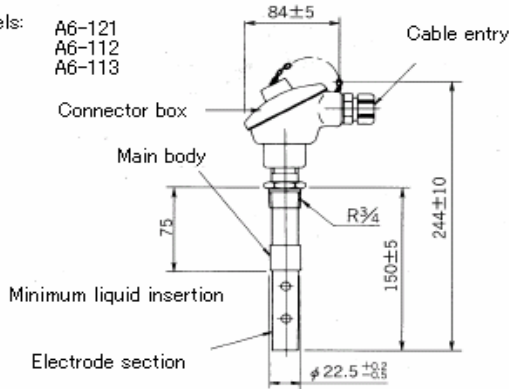
Model EC-10 Cross section diagram

SENSOR DIMENSIONS

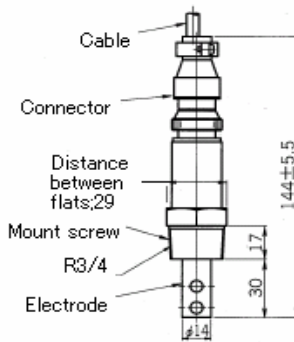
●Screwed type

Models:

- A6-121
- A6-112
- A6-113



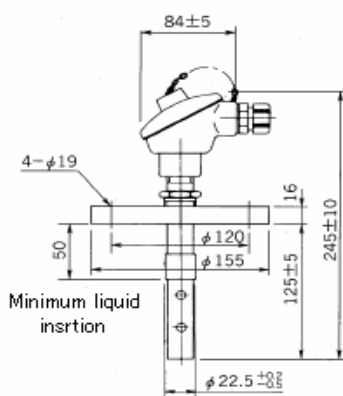
Models: AR4-212



●Franged type

Models:

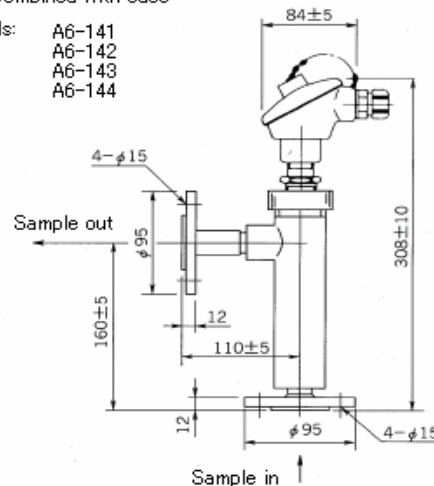
- A6-121
- A6-122
- A6-123



●Combined with case

Models:

- A6-141
- A6-142
- A6-143
- A6-144



DKK-TOA CORPORATION



CAUTION

Do not operate products before consulting instruction manual.

International Operations:

DKK-TOA Corporation
29-10, 1-Chome, Takadanobaba, Shinjuku-ku, Tokyo 169-8648 Japan
Tel: +81-(0)3-3202-0225 Fax: +81-(0)3-3202-5685

Representative Office (Europe):

DKK-TOA Europe
St. Johns Innovation Centre, Cowley Rd., Cambridge CB4 0WS UK
Tel: +44 (0)1223-526471 Fax: +44 (0)1223-709239

<http://www.dkktoa.net>

<http://www.toadkk.co.jp>

Local Representative:

Information and specifications herein are subject to change without notice.